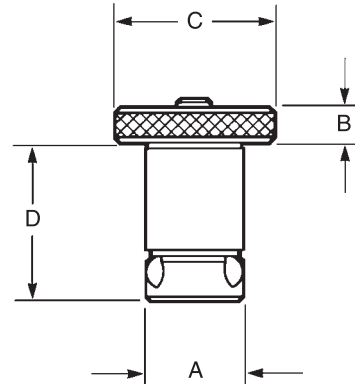


## Locating and Clamping Shanks



- Material: Shank/Bushing, 4340 Liner, 52100
- Finish: Black Oxide
- Heat Treat: Shanks, RC 40-45 Bushings, RC 50-54 Liners, RC 62-64
- Operating Temperature Range -20° to 400°F, -30° to 200°C

**Stainless Steel available.**  
See Page 20-21



## Ball Lock® Repair Kits



- Each Kit Includes:
- Replacement Screw
  - Locking Balls
  - Drive Ball
  - O-Ring

Any Ball Lock® application requires at least two sets of shanks, receiver bushings and liners. The liners are placed into the fixture plate to insure extremely accurate positioning. If more than two shanks are required (to provide additional hold down force), omit the liner bushing so that these additional holes will not interfere with your primary locating holes.

**See page 23 for Fast Acting Shanks.**

## Locating and Clamping Shank Dimensions

Shank Diameter (mm) A	Fixture Plate Thickness ±0.005	Shank Part Number	Head of Shank		Length Under Head D	Hex Wrench Size for Set Screw	Maximum		Recommended		Shank Repair Kit Part Number
			Height B	Diameter C			Screw Torque (Ft/lb)	Hold-Down Force (lbs)	Screw Torque (Ft/lb)	Hold-Down Force (lbs)	
13	0.50	49605	0.25	0.87	1.08	3/32	1.2	750	1	625	49905
—	0.75	49606	—	—	1.33	—	—	—	—	—	49906
—	1.25	49604	—	—	1.83	—	—	—	—	—	49904
16	0.50	49607	0.32	1.50	1.15	1/8	3	1200	2	800	49907
—	0.75	49608	—	—	1.4	—	—	—	—	—	49908
—	1.25	49609	—	—	1.90	—	—	—	—	—	49909
20	0.75	49601	0.38	1.75	1.53	1/8	4	3000	3	2250	49901
—	1.00	49602	—	—	1.78	—	—	—	—	—	49902
—	1.50	49603	—	—	2.28	—	—	—	—	—	49903
25	0.75	49611	0.38	2.00	1.70	5/32	9	7000	7	5444	49911
—	1.00	49612	—	—	1.95	—	—	—	—	—	49912
—	1.50	49613	—	—	2.45	—	—	—	—	—	49913
30	0.75	49621	0.50	2.25	1.88	3/16	15	10000	12	8000	49921
—	1.00	49622	—	—	2.13	—	—	—	—	—	49922
35	0.75	49631	0.50	2.25	1.97	1/4	25	15500	19	11780	49931
—	1.00	49632	—	—	2.22	—	—	—	—	—	49932
—	1.50	49633	—	—	2.72	—	—	—	—	—	49933
—	2.00	49634	—	—	3.22	—	—	—	—	—	49934
50	0.75	49641	0.75	3.00	2.45	3/8	50	20000	38	15200	49941
—	1.00	49642	—	—	2.70	—	—	—	—	—	49942
—	1.50	49643	—	—	3.20	—	—	—	—	—	49943
—	2.00	49644	—	—	3.70	—	—	—	—	—	49944

QUICK CHANGE FIXTURING » BALL LOCK® MOUNTING SYSTEM